

# Foot operated pedal

## Electrical and pneumatic - Series 3

## Pneumatic - Series 2

Series 3: G1/4, 5/2-way - NC / NO contacts

Series 2: M5; 4/2 tube; 3/2-way NC

2

CONTROL



The pedals can be supplied in either a pneumatic or electrical foot operated version. The pneumatic type is available with a 5/2 valve and G1/4 front ports, which allow the fittings and silencers to be assembled conveniently on the front face. A 3/2 operation can be obtained by closing an outlet port. The electrical type is available with a single-pole changeover contact microswitch and a front wire outlet (PG9).

The pedal can be operated as bistable or monostable, by switching the selector placed under the small red protection flap, as shown in the drawing.

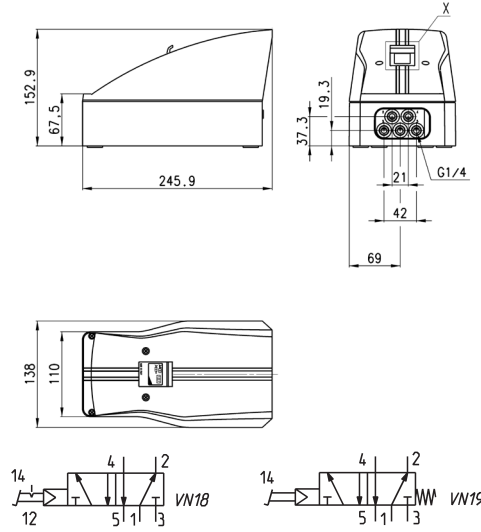
### GENERAL DATA

<b>Construction</b>	spool-type
<b>Valve group</b>	5/2, 3/2 NC way/pos.
<b>Materials</b>	- Series 3: aluminium body - stainless steel spool - NBR seals - plastic casing - Series 2: aluminium body - OT58 poppet - NBR seals.
<b>Ports</b>	- Series 3: G1/4 gas - Series 2: M5; tube 4/2.
<b>Ambient temperature</b>	0°C + 50 °C (with dry air at - 10°C)
<b>Medium temperature</b>	0°C + 50 °C
<b>Construction</b>	single-pole changeover contact microswitch
<b>Cable entry</b>	by means of wire PG9
<b>Protection class</b>	IP20
<b>Fluid</b>	Filtered air, without lubrication.

If lubricated air is used, it is recommended to use ISO VG32 oil. Once applied the lubrication should never be interrupted.

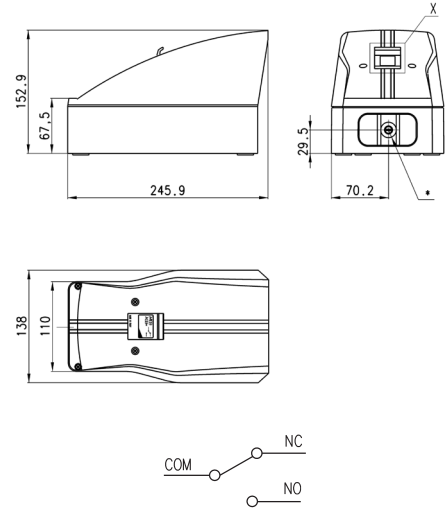
Pneumatic foot operated pedal Series 3

Actuating force at 6 bar = 17N  
 Operating pressure = 2,5 ÷ 8 bar  
 Flow rate = 650NI/min.



Mod.	Symbol
354N-925	VN18 - VN19

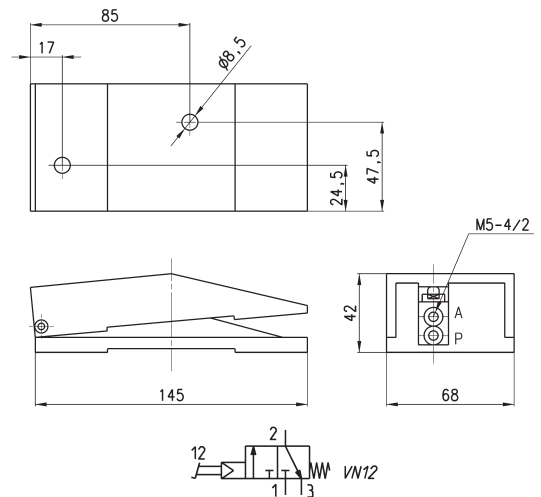
Electrical foot operated pedal Series 3



Mod.
3E2-925

Pneumatic foot operated pedal Series 2

Operating pressure = 2 ÷ 8 bar  
 Flow rate = 60 NI/min.



Mod.
234-925
235-925