

Adjustable overpressure exhaust valve Mod. VMR 1/8-B10

Ports: G1/8

2

CONTROL



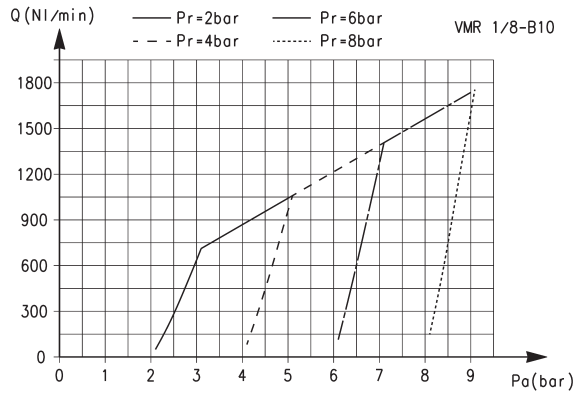
» Able to maintain pressure constant at a set value which allows the overpressure to exhaust

The adjustable valve Mod. VMR 1/8-B10 allows to discharge the overpressure that can be generated in a volume.

GENERAL DATA

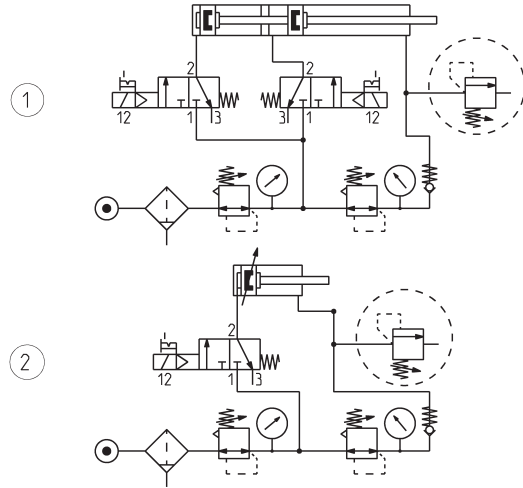
Valve group	automatic valves
Construction	diaphragm type
Materials	brass body zinc-plated steel spring NBR seals
Mounting	in any position
Ports	G1/8
Operating temperature	-5°C + 50°C (with the dew point of the fluid lower than 2°C at the min. working temperature)
Medium	filtered air, without lubrication. If lubricated air is used, it is recommended to use ISO VG32 oil. Once applied the lubrication should never be interrupted.

FLOW DIAGRAM and FUNCTIONING SCHEMES



FLOW DIAGRAM

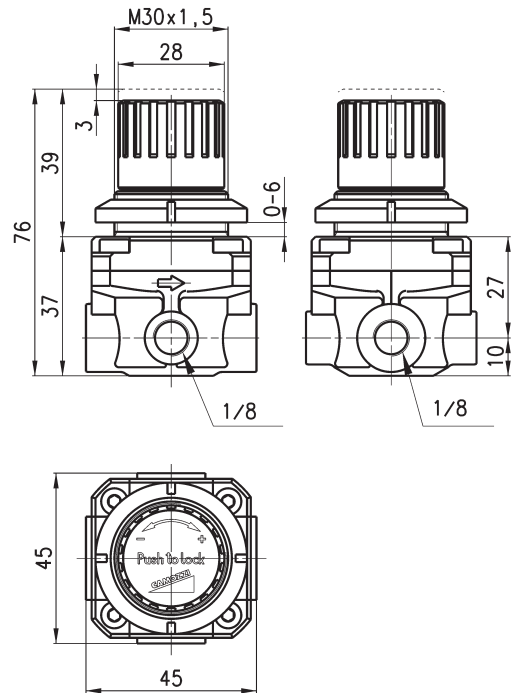
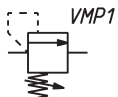
Pa = Inlet pressure
Pr = Regulated pressure
Q = Flow



2

CONTROL

Valve with maximum adjustable pressure Mod. VMR 1/8-B10



Mod.	Working pressure (bar)
VMR 1/8-B10	1 ÷ 8