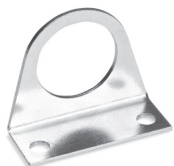


ACCESSORIES FOR SERIES M AND T MICROREGULATORS



Mounting bracket
Mod. C114-ST



Mounting bracket
Mod. C114-ST/1



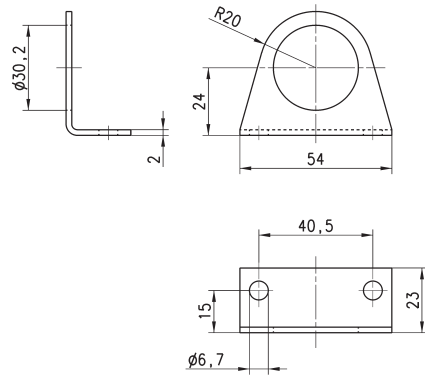
Mounting bracket
Mod. C114-ST/2



Systems of rapid connections designed to make mounting easier.

Mounting bracket Mod. C114-ST

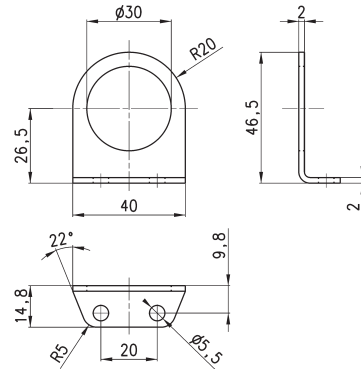
The kit is supplied with:
1x zinc-plated steel bracket.



Mod.
C114-ST

Mounting bracket Mod. C114-ST/1

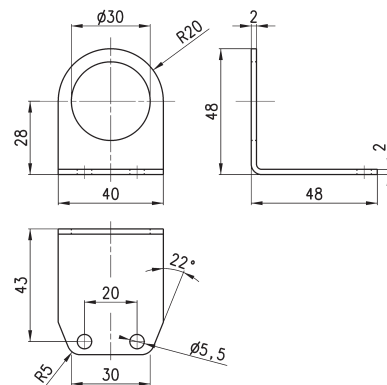
The kit is supplied with 1 zinc-plated steel bracket.



Mod.
C114-ST/1

Mounting bracket Mod. C114-ST/2

The kit is supplied with 1 zinc-plated steel bracket.



Mod.
C114-ST/2