

Series M pressure microregulators

Ports G1/8, G1/4



- » Versions with calibrated or blocked regulators are available on request
- » Versions with certified diaphragms and seals materials are available on request

Series M pressure regulator is available with G1/8 and G1/4 ports. Its design incorporates a diaphragm and relieving so as to allow decremental adjustments as well.

Microregulators are available with different regulation types: non-relieving, very sensitive self-relieving (through a light air leak) and VS (valve with fast draining).

The VS version is used when a regulator should be inserted between the valve and cylinder, or capacity, without any negative influence on the exhaust.

GENERAL DATA

Construction	diaphragm type
Materials	brass body, stainless steel spring, NBR O-ring
Ports	G1/8 - G1/4
Weight	Kg 0.235
Pressure gauge ports	G1/8
Mounting	in-line or panel mounting (in any position)
Operating temperature	-5°C ÷ 50°C (with the dew point of the fluid lower than 2°C at the min. working temperature)
Inlet pressure	0 ÷ 16 bar
Outlet pressure	0.5 ÷ 10 bar
Nominal flow	see graphs
Secondary pressure relieving	standard

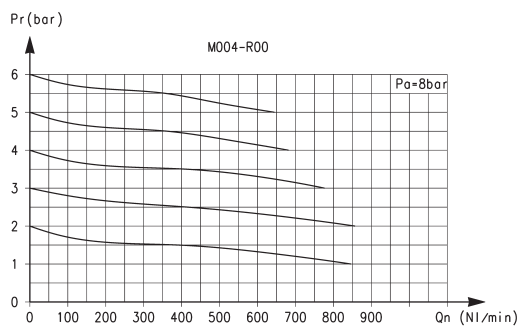
CODING EXAMPLE

M	0	04	-	R	T	0	-	■	-	●
---	---	----	---	---	---	---	---	---	---	---

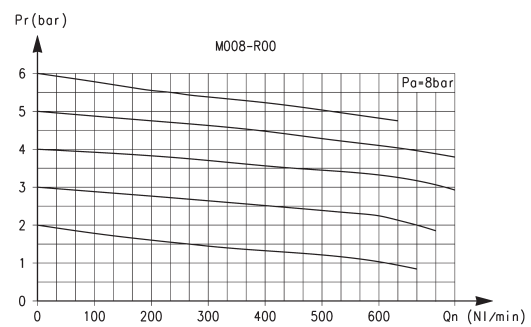
M	SERIES
0	SIZE
04	PORTS: 08 = G1/8 04 = G1/4
R	REGULATOR
T	OPERATING PRESSURE: 0 = 0.5 + 10 bar (standard) 1 = 0 + 4 bar 2 = 0 + 2 bar 7 = 0.5 + 7 bar T = calibrated * B = locked *
0	DESIGN TYPE: 0 = self relieving 1 = non relieving 5 = precise setting
	REGULATION TYPE: = without high relief flow (standard) VS = high relief flow
	* NOTE: IF THE REGULATOR IS CALIBRATED OR LOCKED, AFTER THE REGULATION TYPE ADD THE INLET PRESSURE "■" AND THE OUTLET PRESSURE "●"
	INLET PRESSURE: ■ = enter the SUPPLY pressure value
	OUTLET PRESSURE: ● = enter the OUTLET pressure value for the LOCKED regulator or the maximum value of the ADJUSTABLE pressure for the CALIBRATED regulator
	Example of a calibrated regulator with Inlet Pressure = 6.3 bar and Outlet Pressure = 4.5 bar Complete part number: M04-RT0-6.3-4.5

3

TREATMENT

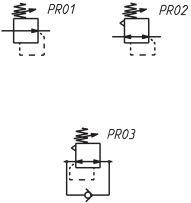
FLOW DIAGRAMS


Flow diagram for models: M004-R00
 Pa = Inlet pressure
 Pr = Regulated pressure
 Qn = Flow



Flow diagram for models: M008-R00
 Pa = Inlet pressure
 Pr = Regulated pressure
 Qn = Flow

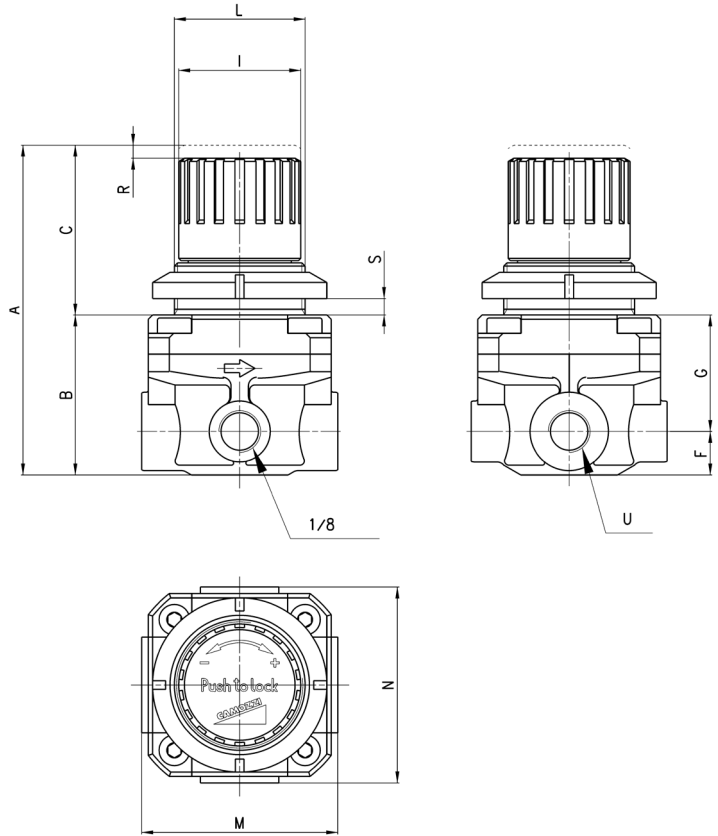
Series M pressure microregulator



PR01 = regulator without relieving

PR02 = regulator with relieving

PR03 = regulator with relieving and by-pass valve



DIMENSIONS

Mod.	A	B	C	F	G	I	L	M	N	R	S	U
M008-R00	76	37	39	10	27	28	M30x1,5	45	45	3	0+6	G1/8 *
M004-R00	76	37	39	10	27	28	M30x1,5	45	45	3	0+6	G1/4 *

* = calibrated or blocked regulator available on request