

Series T, MPL, PNZ tubing, spirals and accessories

Tubes: reinforced PVC, Polyamide (PA) 12, Hytrel Polyester, Polyethylene (PE), Polyurethane (PU).

Diameters: 4/2, 5/3, 6/4, 8/6, 10/8, 12/10, 15/12,5 mm



Camozzi offers a range of tubes and spirals with specific features which are suitable for several technical requirements. Thanks to high-quality raw materials and with a low specific weight, these products are very small and lightweight. They also show high resistance against stress and flexural vibrations.

The high specularity of internal surfaces for the fluid passage (roughness of about 6 micron) allows to reduce the loosening of loads and to reach very high flows with same diameters. Technopolymers used are particularly resistant to aging, thus ensuring the product a very long life.

Tubes Mod. PV



Tubes in reinforced PVC

Standard colour: Blue

Mod.	D/d	Max pressure at 20°C (bar)	Weight (g/m)	Bend radius (mm)	Lot (m)
PV 6/4	6/4	40	22	50	50
PV 8/6	8/6	38	30	60	50
PV 10/8	10/8	30	40	65	50
PV 12/10	12/10	24	56	80	50
PV 15/12,5	15/12.5	18	70	90	50

Tubes Mod. TRN



Tubes in polyamide PA12

Standard colour: Neutral

Colours available on request:

Blue - Red - Green - Black - Yellow

Mod.	D/d	Max pressure at 23°C (bar)	Weight (g/m)	Bend radius (mm)	Lot (m)
TRN 4/2	4/2	44	9.7	16	100
TRN 5/3	5/3	33	12.9	20	100
TRN 6/4	6/4	28	16.2	30	100
TRN 8/6	8/6	20	22.6	40	100
TRN 10/8	10/8	16	29.1	60	50
TRN 12/10	12/10	12	35.6	85	50

Tubes Mod. TRH



Tubes in Hytrel polyester

Standard colour: Blue

Colours available on request:

Red - Green - Black - Yellow - White

Mod.	D/d	Max pressure at 23°C (bar)	Weight (g/m)	Bend radius (mm)	Lot (m)
TRH 4/2-Z	4/2	32	11.5	16	100
TRH 5/3-Z	5/3	27	15.3	25	100
TRH 6/4-Z	6/4	21	19.2	35	100
TRH 8/6-Z	8/6	15	26.8	65	100
TRH 10/8-Z	10/8	12	34.5	100	50
TRH 12/10-Z	12/10	10	42.1	125	50

Tubes Mod. TPE



Tube in low density polyethylene

Standard colour: Neutral
Colours available on request: Blue

Mod.	D/d	Max pressure at 23°C (bar)	Weight (g/m)	Bend radius (mm)	Lot (m)
TPE 5/3	5/3	17	11.3	23	100
TPE 6/4	6/4	13	14.1	32	100
TPE 8/6	8/6	10	19.8	43	100
TPE 10/8	10/8	7	25.4	76	100

Tubes Mod. TPC



Tubes in Polyurethane 98 Shore

Standard colour: Grey RAL 7012

Mod.	D/d	Max pressure at 23°C (bar)	Weight (g/m)	Bend radius (mm)	Lot (m)
TPC 4/2	4/2	19	11.5	11	100
TPC 6/4	6/4	13	19.2	18	100
TPC 8/6	8/6	9	26.8	35	100
TPC 10/8	10/8	7	34.5	45	100
TPC 12/8	12/8	9	76.6	50	100

Tubes Mod. TSP



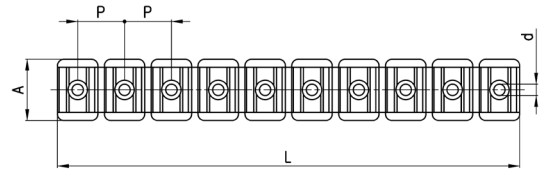
Spiral in Rilsan (PA 11)

Standard colour: Blue
Other colours available on request

Mod.	D/d	max pressure at 20°C (bar)	External Ø	Closed length (mm)	Open length (mm)
TSP 6/4	6/4	20	64	1000	15000
TSP 8/6	8/6	14	86	1000	15000
TSP 10/8	10/8	11	102	1050	15000
TSP 12/10	12/10	9	126	1050	15000

Plastic tubes clamps Mod. MPL

Colour: Blue



Mod.	Tube Ø	L	A	d	P	Number of positions
MPL-4	4	114	19	2.8	11.7	10
MPL-6	6	114	19	2.8	11.7	10
MPL-8	8	143	19	3.8	14.6	10
MPL-10	10	172	19	5.3	17.4	10
MPL-12	12	162	19	5.3	20.5	8
MPL-14	14	180	19	5.3	22.5	8

Tube cutter tool Mod. PNZ... and PNZP-12

Tubes cutter Mod. PNZ...: replacement blades can be ordered separately.

Tubes cutter Mod. PNZP-12: plastic.



PNZ-...

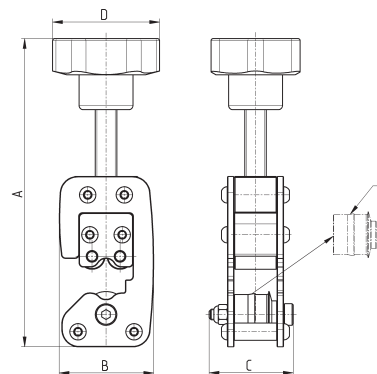


PNZP-12

Mod.	
PNZ-12	able to cut tubes with Ø up to 12 mm
PNZ-25	able to cut tubes with Ø up to 25 mm
PNZP-12	able to cut tubes with Ø up to 12 mm

Grooving tool for metallic tubes

New



Mod.	Tube Ø	A (max)	B	C	D	Weight (g)	E (spare wheel)
8TRT 4	4	138	43.5	39	50	450	RTRT 4
8TRT 6	6	140	43.5	39	50	450	RTRT 6
8TRT 8	8	143	44	39	50	450	RTRT 8
8TRT 10	10	145	44	39	50	450	RTRT 10
8TRT 12	12	147	44.5	39	50	450	RTRT 12
8TRT 14	14	149	45	39	50	450	RTRT 14
8TRT 16	16	151	45	39	50	450	RTRT 16

