

Series VTCN bellows suction pads (round) - 2,5 folds

Series VTCN bellows suction pads, available in NBR or Silicone, are suitable to handle uneven workpiece surfaces or workpiece major height differences. Diameters from 5 to 52 mm with thread size M5, G1/8, G1/4, both male and female.

SERIES VTCN BELLOWS SUCTION PADS



Series VTCN bellows suction pads (2,5 folds) have a rugged design and consist of a nipple and rubber part. The nipples are inserted directly into the rubber part. The rubber parts can also be ordered separately without nipples as spare parts. Materials: NBR or Silicone

Applications:
 - Handling of even or uneven workpieces such as plates for car bodies, tubes, cardboard boxes
 - Handling of fragile workpieces such as electronics components, injection moulded pieces, etc
 - Handling of welded pieces
 - Silicone version for handling of pieces at high temperatures

- » Wide range of diameters, in NBR or Silicone versions.
- » Soft, tapered sealing lip for very good adaption to curved or uneven workpiece surfaces in general.
- » High suction force and optimal damping when placed on the workpiece.
- » Support on the bottom to avoid permanent deformation of the workpiece.
- » Very stiff top fold for good stability and good resistance towards transversal forces at high accelerations.
- » Very good compensation of possible height differences on the workpiece.
- » Optimised shape with 2,5 folds.

GENERAL DATA

Description	wear resistant suction pad consisting of rubber part VTCN with 2,5 folds and connection nipple
Construction	nipples and suction pads are supplied not pre-assembled
Maintenance	it is possible to replace the rubber part
Working temperature	NBR version: -30°C ÷ +120°C (for short time <30 sec.); -10°C ÷ +70°C (long-term) SILICONE version: -50°C ÷ +220°C (for short time <30 sec.); -30°C ÷ +180°C (long-term)

TECHNICAL DATA

Mod./Diameter	Suction force (N)*	Pull-off force (N)**	Volume (cm ³)	Min. curve radius (mm) (convex)	Recommended internal tube diameter (mm)
VTCN-050	0,1	0,8	0,033	2	2
VTCN-070	0,1	0,9	0,043	3	4
VTCN-090	0,7	2,3	0,15	5	4
VTCN-120	0,9	3,5	0,6	6	4
VTCN-140	1,2	5,7	0,975	7	4
VTCN-180	2,3	8,5	1,35	9	4
VTCN-200	3,8	12,1	2	10	4
VTCN-250	4,5	19	5,4	12	4
VTCN-320	12	36,9	10	17	6
VTCN-420	13,6	44	19,5	24	6
VTCN-520	27	96	62	35	6

CODING EXAMPLE

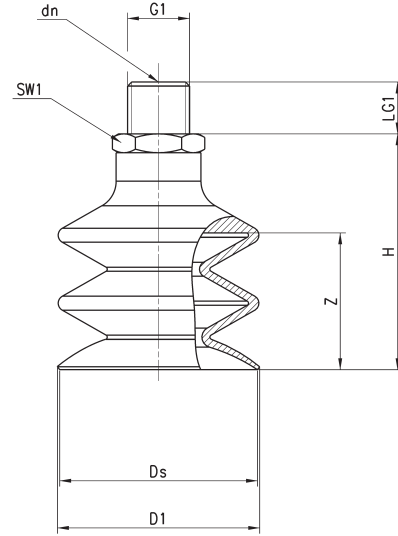
VT	C	N	-	050	N	-	M5	M
-----------	----------	----------	----------	------------	----------	----------	-----------	----------

VT	SERIES VT = Suction pad
C	SHAPE C = round
N	VERSION N = bellows, 2,5 folds
050	DIAMETERS 050 = 5,0 mm 070 = 7,0 mm 090 = 9,0 mm 120 = 12,0 mm 140 = 14,0 mm 180 = 18,0 mm 200 = 20,0 mm 250 = 25,0 mm 320 = 32,0 mm 420 = 42,0 mm 520 = 52,0 mm
N	MATERIALS N = NBR S = Silicone
M5	THREAD SIZE M5 = M5 1/8 = G1/8 1/4 = G1/4
M	THREAD M = male F = female

Series VTCN suction pad - male thread



* = N for suction pad in NBR
S for suction pad in Silicone
(add the required letter when placing an order)



DIMENSIONS										
Suction pad with nipple	D1	dn	Ds	G1	H	LG1	SW1	Z	Suction pad	Nipple
VTCN-050*-M5M	5,5	2	5	M 5 M	18,5	5	8	3	VTCN-050*	NPV-E-M5-M
VTCN-070*-1/8M	6,5	3,5	5,9	G1/8 M	20	7,5	14	4	VTCN-070*	NPV-R-1/8-M
VTCN-070*-M5M	6,5	2,5	5,9	M 5 M	19	5	7	4	VTCN-070*	NPV-D-M5-M
VTCN-090*-1/8M	9,3	3,5	9	G1/8 M	21	7,5	14	3	VTCN-090*	NPV-R-1/8-M
VTCN-090*-M5M	9,3	2,5	9	M 5 M	20	5	7	3	VTCN-090*	NPV-D-M5-M
VTCN-120*-1/8M	12,7	3,5	12	G1/8 M	27	7,5	14	7	VTCN-120*	NPV-R-1/8-M
VTCN-120*-M5M	12,7	2,5	12	M 5 M	26	5	7	7	VTCN-120*	NPV-D-M5-M
VTCN-140*-1/8M	15	3,5	14,5	G1/8 M	28	7,5	14	9	VTCN-140*	NPV-R-1/8-M
VTCN-140*-M5M	15	2,5	14,5	M 5 M	27	5	7	9	VTCN-140*	NPV-D-M5-M
VTCN-180*-1/8M	18,5	3,5	17,2	G1/8 M	28	7,5	14	9	VTCN-180*	NPV-R-1/8-M
VTCN-180*-M5M	18,5	2,5	17,2	M 5 M	27	5	7	9	VTCN-180*	NPV-D-M5-M
VTCN-200*-1/8M	20	3,5	20	G1/8 M	28	7,5	14	9	VTCN-200*	NPV-R-1/8-M
VTCN-200*-M5M	20	2,5	20	M 5 M	27	5	7	9	VTCN-200*	NPV-D-M5-M
VTCN-250*-1/8M	24,7	3,5	23	G1/8 M	40	7,5	14	18	VTCN-250*	NPV-R-1/8-M
VTCN-320*-1/4M	32,6	4,4	32	G1/8 M	41,5	11	17	15	VTCN-320*	NPV-S-1/4-M
VTCN-420*-1/4M	43,5	4,4	42,6	G1/4 M	50	11	17	20	VTCN-420*	NPV-S-1/4-M
VTCN-520*-1/4M	52,5	4,4	52,5	G1/4 M	53	11	17	25	VTCN-520*	NPV-S-1/4-M

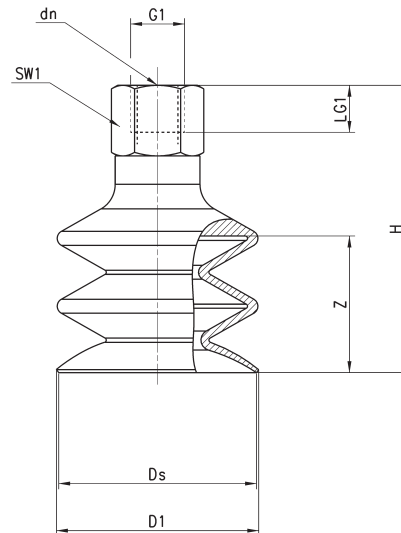


Tolerances for elastomer parts according to M3 - DIN 7715

Series VTCN suction pad - female thread



* = N for suction pad in NBR
S for suction pad in Silicone
(add the required letter when placing an order)



DIMENSIONS										
Suction pad with nipple	D1	dn	Ds	G1	H	LG1	SW1	Z	Suction pad	Nipple
VTCN-050*-M5F	5,5	2	5	M 5 F	18,5	5	8	3	VTCN-050*	NPV-E-M5-F
VTCN-070*-1/8F	6,5	3,5	5,9	G1/8 F	26	8,5	14	4	VTCN-070*	NPV-R-1/8-F
VTCN-090*-1/8F	9,3	3,5	9	G1/8 F	27	8,5	14	3	VTCN-090*	NPV-R-1/8-F
VTCN-120*-1/8F	12,7	3,5	12	G1/8 F	33	8,5	14	7	VTCN-120*	NPV-R-1/8-F
VTCN-140*-1/8F	15	3,5	14,5	G1/8 F	34	8,5	14	9	VTCN-140*	NPV-R-1/8-F
VTCN-180*-1/8F	18,5	3,5	17,2	G1/8 F	34	8,5	14	9	VTCN-180*	NPV-R-1/8-F
VTCN-200*-1/8F	20	3,5	20	G1/8 F	34	8,5	14	9	VTCN-200*	NPV-R-1/8-F
VTCN-250*-1/8F	24,7	3,5	23	G1/8 F	46	8,5	14	18	VTCN-250*	NPV-R-1/8-F
VTCN-320*-1/4F	32,6	4,4	32	G1/4 F	52,5	12	17	15	VTCN-320*	NPV-S-1/4-F
VTCN-420*-1/4F	43,5	4,4	42,6	G1/4 F	61	12	17	20	VTCN-420*	NPV-S-1/4-F
VTCN-520*-1/4F	52,5	4,4	52,5	G1/4 F	64	12	17	25	VTCN-520*	NPV-S-1/4-F



Tolerances for elastomer parts according to M3 - DIN 7715