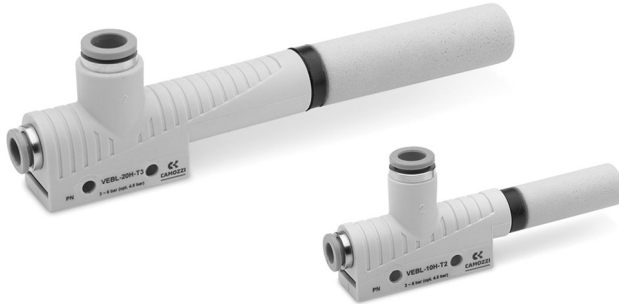


Series VEBL basic ejectors

Basic ejectors in technopolymer without moving parts, based on the Venturi principle.

Different sizes available, with internal nozzle from 0,5 to 2,5 mm and with suction rate from 8 to 207 l/min.

SERIES VEBL BASIC EJECTORS



- » No moving parts for long life and low maintenance
- » Reduced weight
- » Rapid generation of vacuum
- » Easy installation, on proper support too
- » Optimized dimensions

Series VEBL basic ejectors are universal ejectors made in technopolymer suitable for several industrial applications such as:

- Industrial robotics in most sectors
- Wood industry
- Packaging industry
- Food industry

GENERAL DATA

Description Basic ejector

Materials

- body in technopolymer
- silencier in technopolymer
- internal nozzle in brass

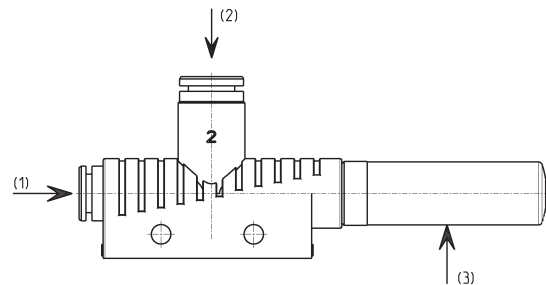
CODING EXAMPLE

VE	BL	-	10H	-	T2
VE	SERIES: VE = Vacuum ejector				
BL	VERSION: BL = basic light				
10H	NOZZLE DIAMETER: 05H = 0,5 mm 07H = 0,7 mm 10H = 1 mm 15H = 1,5 mm 20H = 2 mm 25H = 2,5 mm				
T2	TYPE OF CONNECTION (ON SUPPLY SIDE): T1 = plier - tube Ø4 T2 = plier - tube Ø6 T3 = plier - tube Ø8				

TECHNICAL DATA



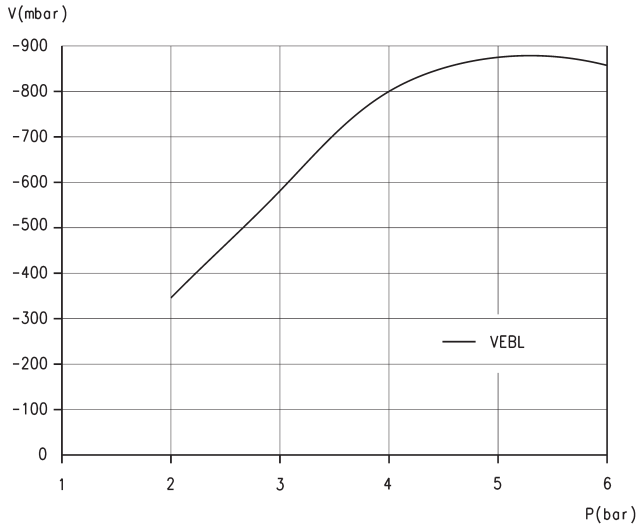
- 1 = Compressed air inlet
2 = Vacuum inlet
3 = Exhaust



Usable fluids: compressed air, oiled and not, according to ISO 8573-1:2001 class 7-4-4

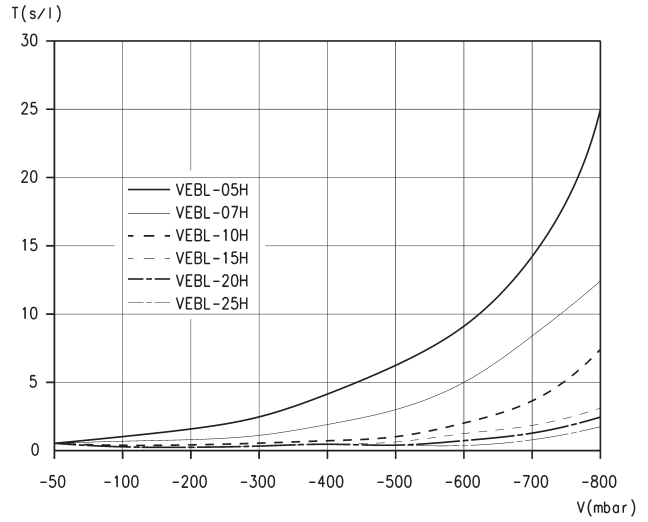
TECHNICAL DATA												
Mod.	Ø nozzle (mm)	Obtainable relative pressure (mbar)	Vacuum flow (l/min)	Air consumption (l/min)	Operating pressure (bar)	Optimum operating pressure (bar)	Operating temperature (bar)	Weight (kg)	Noise level gripped [dB(A)]	Noise level free [dB(A)]	Suggested internal Ø for tubes [mm] up to 2m	Max n° of ejectors for one support
VEBL-05H-T1	0,5	-840	8	13,5	3...6	4,5	0...60	0,0075	53	58	2/2	11
VEBL-07H-T1	0,7	-850	16	22	3...6	4,5	0...60	0,0075	59	65	2/2	11
VEBL-10H-T2	1	-850	38	48	3...6	4,5	0...60	0,022	59	65	4/6	7
VEBL-15H-T2	1,5	-850	71	105	3...6	4,5	0...60	0,022	65	72	4/6	7
VEBL-20H-T3	2	-850	127	197	3...6	4,5	0...60	0,050	68	77	6/8	5
VEBL-25H-T3	2,5	-850	215	311	3...6	4,5	0...60	0,050	70	78	6/8	5

Diagrams VEBL



LEGEND:
V = Vacuum values
P = Working pressure

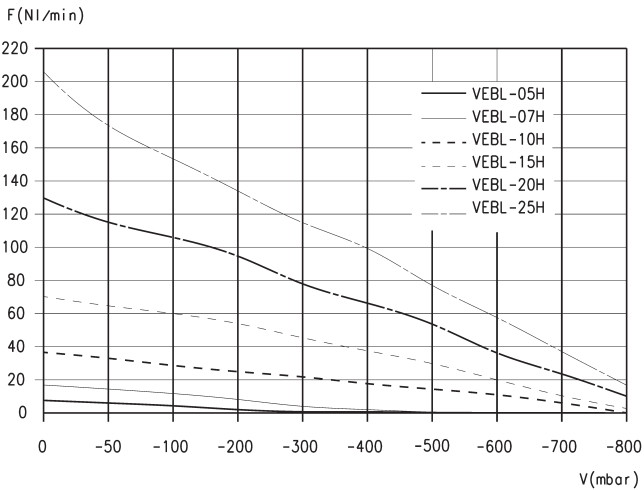
Note: vacuum reachable with different supply pressures



LEGEND:
T = Evacuation time
V = Vacuum values

Note: evacuation time for different vacuum values

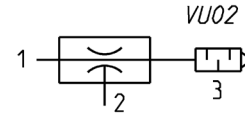
Diagrams VEBL



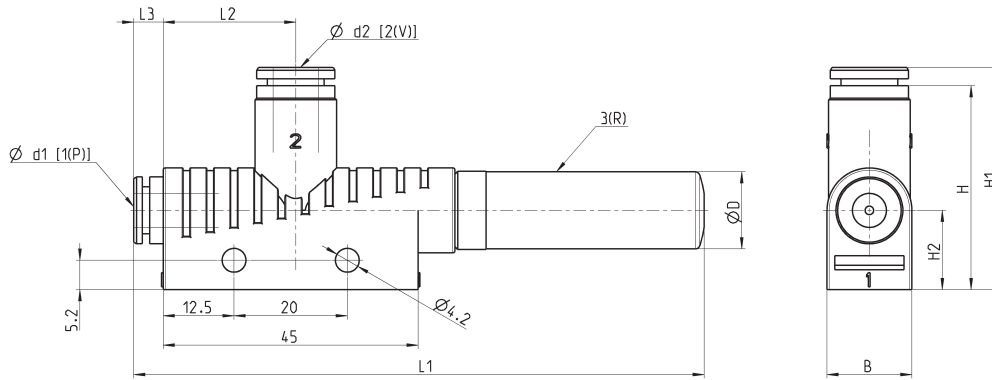
LEGEND:
F = Suction rate
V = Vacuum values

Note: Suction rate with different vacuum values

Ejectors VEBL-05H...25H

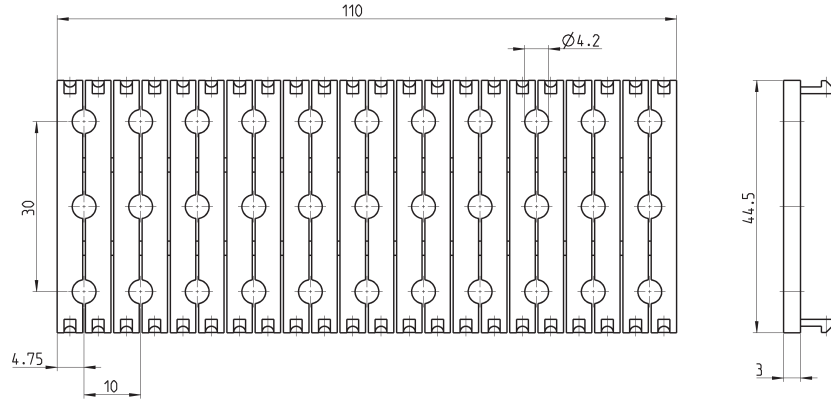
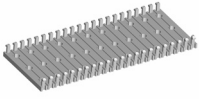


[P] = Pressure
[V] = Vacuum
[R] = Exhaust



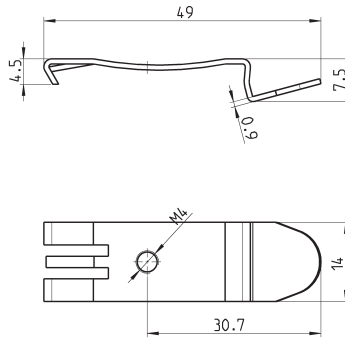
DIMENSIONS										
Mod.	B	d1	d2	D	H	H1	H2	L1	L2	L3
VEBL-05H-T1	10	4	4	9	26	28	12	71	18	2
VEBL-07H-T1	10	4	4	9	26	28	12	71	18	2
VEBL-10H-T2	15	6	8	14	34	40	14	97	22	5,5
VEBL-15H-T2	15	6	8	14	34	40	14	97	22	5,5
VEBL-20H-T3	20	8	10	20	39	45,5	17	168	24,5	5,5
VEBL-25H-T3	20	8	10	20	39	45,5	17	168	24,5	5,5

Accessories VEBL-ST



Mod.
VEBL-ST

Accessories VEBL-PCF



Mod.
VEBL-PCF