

# Series RL rod lock

For cylinders ISO 15552 and ISO 6432  
 ø 20, 25, 32, 40, 50, 63, 80, 100, 125 mm

SERIES RL ROD LOCK



- » Compact design
- » Functioning in both directions
- » Blocks without pressure releases with pressure

Series RL rod locks are available in 9 different sizes (diameters: 20, 25, 32, 40, 50, 63, 80, 100 to 125 mm). The compact dimensions allow units to be fitted on cylinders where space is limited. Rod lock units are often used to hold the load in position during Emergency Stop conditions or when the air supply may be accidentally disconnected from the system. The holding forces are measured at 8 bar and apply in both directions.

**Caution!**  
 The rod lock should not be used to "brake" the piston rod in dynamic conditions and must only be applied when movement has ceased.

**Note:**  
 the cylinder piston rod length must be increased when using a rod lock unit. See the table for the minimum extension lengths for each diameter.

## GENERAL DATA

Type of construction	compact
Operation	piston operated clamp
Materials	housing: anodized AL clamp: brass seals: NBR
Cylinder diameter	ø 20 - 25 - 32 - 40 - 50 - 63 - 80 - 100 - 125
Operating temperature	0°C ÷ 80°C (with dry air -20°C)
Configuration	pressure release
Operating pressure	3 ÷ 8 bar
Ports	M5 = ø20, 25, 32 - G1/8 = ø40, 50, 63, 80, 100, 125
Fluid	Filtered air without lubrication. If lubricated air is used, it is recommended to use ISOVG32 oil. Once applied the lubrication should never be interrupted.

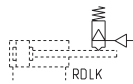
**CODING EXAMPLE**

<b>RLC</b>	-	<b>41</b>	-	<b>32</b>
<b>RLC</b>	SERIES RLC = standard, complete with cartridge and housing RLB = cartridge only			
<b>41</b>	CYLINDER SERIES 24 = for Series 24 and 25 41 = for Series 61 and 63		PNEUMATIC SYMBOL RDLK	
<b>32</b>	CYLINDER DIAMETER (mm) 20 = 20 mm 25 = 25 mm 32 = 32 mm 40 = 40 mm 50 = 50 mm 63 = 63 mm 80 = 80 mm 100 = 100 mm 125 = 125 mm			

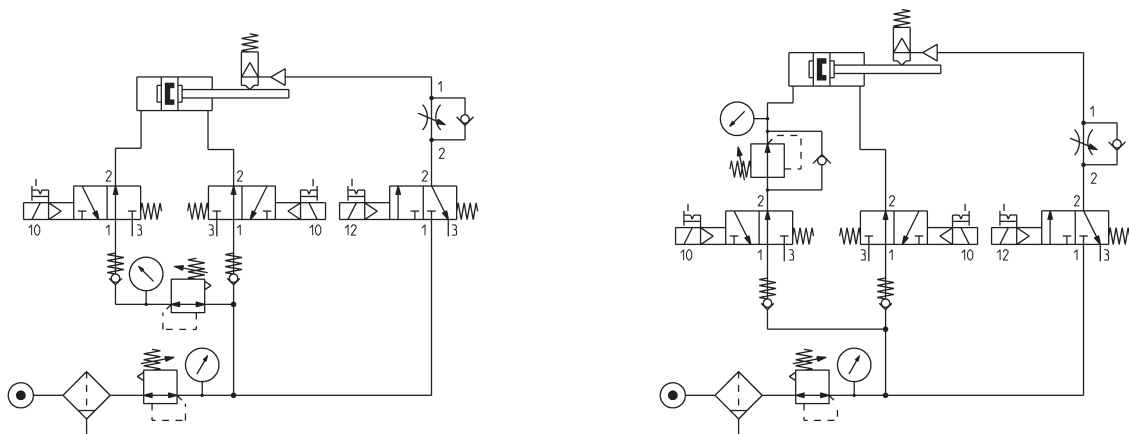
SERIES RL ROD LOCK

**PNEUMATIC SYMBOLS**

The pneumatic symbols which have been indicated in the CODING EXAMPLE are shown below.



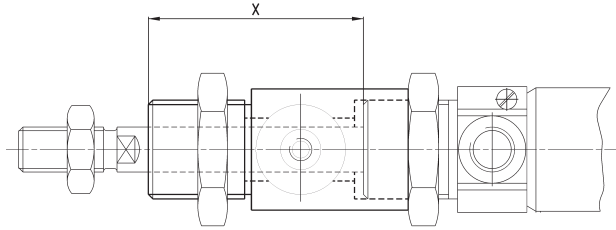
**CONNECTION EXAMPLES**



For a correct use of the rod lock Mod. RLC a pneumatic connection is recommended (as shown in the examples).

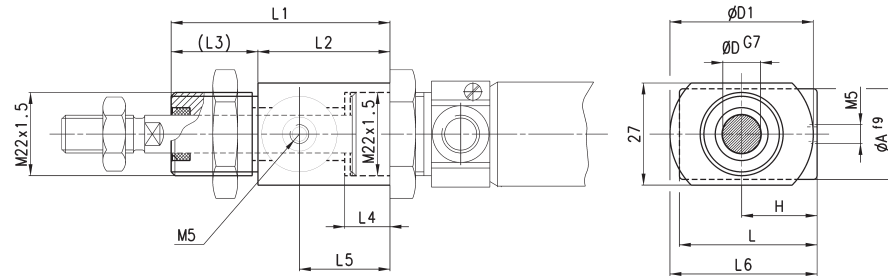
## ROD EXTENSION and HOLDING FORCE

Table showing the rod extensions which are necessary for the rod lock mounting.



$\varnothing$	Rod extension [X] (mm)	Holding force [static load] (N)
20	+50	300
25	+48	400
32	+40	650
40	+43	1100
50	+57	1600
63	+57	2500
80	+80	4000
100	+80	6300
125	+125	8800

**Series RL Rod Lock - Ø 20 - 25 mm**

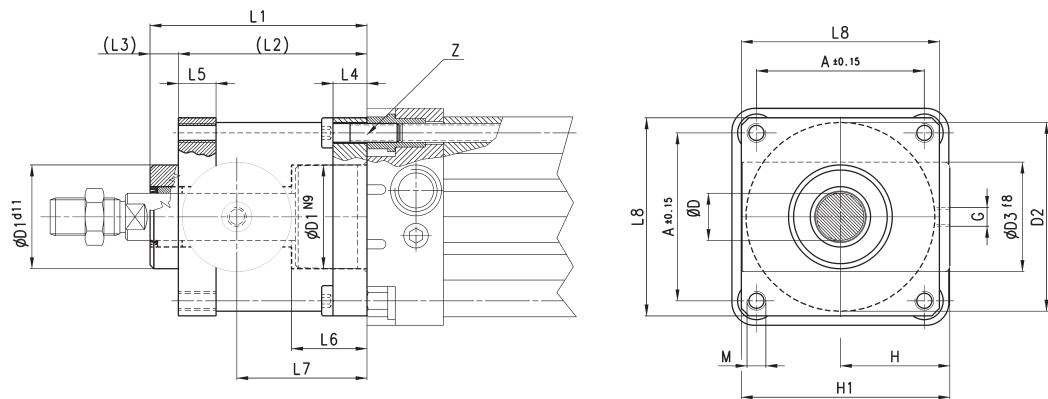


DIMENSIONS												
Mod.	Ø	D	A	D1	H	L	L1	L2	L3	L4	L5	L6
RLC-24-20	20	8	20	38	21	40	58	35	23	12	24	40
RLC-24-25	25	10	20	38	21	40	58	35	23	12	24	40

**Series RL Rod Lock - Ø 32 ÷ 125 mm**



Supplied with:  
- 4x screws



DIMENSIONS																			
Mod.	Ø	D	D1	D2	D3	G	L1	L2	L3	L4	L5	L6	L7	L8	A	M	H	H1	Z
RLC-41-32	32	12	30,5	35	25	M5	58	48	10	8	13	20,5	34	45	32,5	M6	25,5	46,5	M6X20
RLC-41-40	40	16	35	40	28	G1/8	65	55	10	8	13	22,5	38	50	38	M6	30	53	M6X20
RLC-41-50	50	20	40	50	35	G1/8	82	70	12	15	16	29,5	48	60	46,5	M8	36	64	M8X30
RLC-41-63	63	20	45	60	38	G1/8	82	70	12	15	16	29,5	49,5	70	56,5	M8	40	75	M8X30
RLC-41-80	80	25	45	80	48	G1/8	110	90	20	18	20	35	61	90	72	M10	50	95	M10X35
RLC-41-100	100	25	55	100	58	G1/8	115	100	15	18	20	39	69	105	89	M10	58	110,5	M10X35
RLC-41-125	125	32	60	130	65	G1/8	167	122	45	22	30	51	86,5	140	110	M12	80	150	M12X40