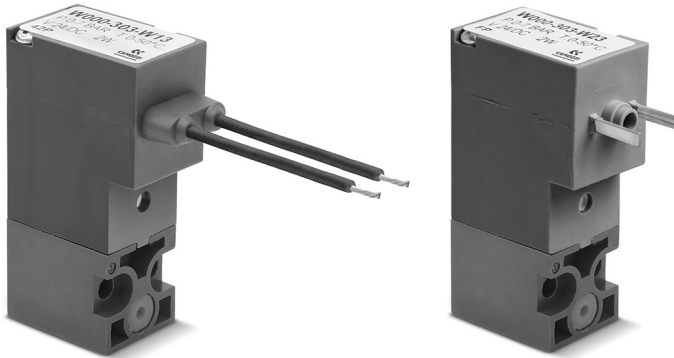


Series W directly operated solenoid valves

3/2-way - Normally Closed (NC) and Normally Open (NO)

SERIES W SOLENOID VALVES



- » Can be mounted on a single base (M5 connections) or on manifold (M5 connections or fittings for Ø3 or Ø4 tube).
- » Electrical connection with flying leads or in compliance to DIN EN 175 301-803-C standard

Series W directly operated solenoid valves are available as 3/2-way either NC or NO. Both versions can be mounted on single sub-bases or manifolds and they are equipped with a monostable manual override.

GENERAL DATA

TECHNICAL FEATURES

Function	3/2 NC - 3/2 NO
Operation	direct acting poppet type
Pneumatic connections	on subbase with ISO 15218 interface
Orifice diameter	0.8 ... 1.5 mm
Flow coefficient kv (l/min)	0.21 ... 0.54
Operating pressure	0 ÷ 5 ... 10 bar
Operating temperature	0 ÷ 50 °C
Media	filtered air, class 5.4.4 according to ISO 8573-1 (max oil viscosity 32 cSt), inert gas
Response time (ISO 12238)	ON <10 ms - OFF <15 ms
Manual override	monostable
Installation	in any position

MATERIALS IN CONTACT WITH THE MEDIUM

Body	PBT
Seals	PU - NBR - FKM - EPDM
Internal parts	stainless steel

ELECTRICAL FEATURES

Voltage	12 ... 48 V DC - other voltages on demand
Voltage tolerance	±10%
Power consumption	2 W - 1 W (24 V DC only)
Duty cycle	ED 100%
Electrical connection	connector DIN EN 175 301-803-C (8 mm) - 300 mm flying leads
Protection class	IP65 with connector

Special versions available on demand

CODING EXAMPLE

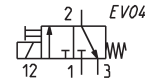
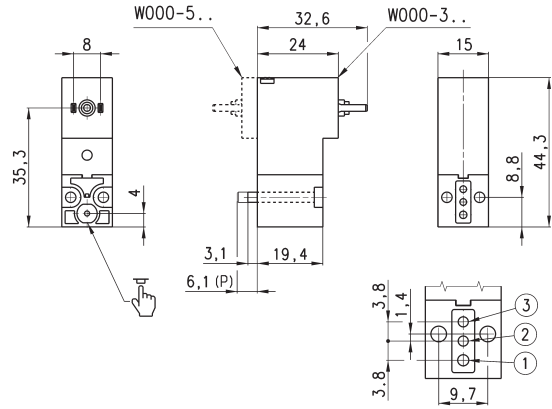
W	0	00	-	3	0	3	-	W	2	3	
----------	----------	-----------	----------	----------	----------	----------	----------	----------	----------	----------	--

W	SERIES
0	BODY DESIGN 0 = single sub-base (only M5) or interface 1 = single manifold 2 = double manifold
00	NUMBER OF POSITIONS 00 = ISO 15218 interface 01 = single base (M5 only) 02 ÷ 99 = manifold number of positions
3	NUMBER OF WAYS - FUNCTIONS 0 = manifold or single sub-base 3 = 3/2-way - NC 4 = 3/2-way - NO 5 = 3/2-way - NC electric part revolved by 180° 6 = 3/2-way - NO electric part revolved by 180°
0	VALVE PORTS 0 = ISO 15218 interface MANIFOLD PORTS for P - PL - PN - W Series 2 = M5 thread - front outlets 3 = tube Ø 3 mm fittings - front outlets 4 = tube Ø 4 mm fittings - front outlets 6 = M5 thread - bottom outlets 7 = tube Ø 3 mm fittings - bottom outlets 8 = tube Ø 4 mm fittings - bottom outlets
3	ORIFICE DIAMETER 1 = Ø 0.8 mm 3 = Ø 1.5 mm 5 = Ø 1.1 mm - NC versions 6 = Ø 1.5 mm - NC versions with voltage tolerance -25% ÷ +10% 5 = Ø 0.9 mm - NO versions
W	MATERIALS E = PBT body - EPDM seals F = PBT body - FKM seals W = PBT body - NBR - FKM - PU seals
2	ELECTRICAL CONNECTION 1 = 300 mm flying leads 2 = DIN EN 175 301-803-C (8 mm)
3	VOLTAGE - POWER CONSUMPTION 2 = 12 V DC - 2 W 3 = 24 V DC - 1 W - NC Ø 0.8 mm version only 3 = 24 V DC - 2 W 4 = 48 V DC - 2 W
	FIXING = fixing screws for metal P = fixing screws for plastic
	OPTIONS: = standard OX1 = for use with oxygen (non volatile residual less than 550 mg/m ²) OX2 = for use with oxygen (non volatile residual less than 33 mg/m ²)

Series W solenoid valve - 3/2-way NC - DIN EN 175 301-803-C (8 mm)



Supplied with:
1x interface seal
2x M3x20 screws for mounting on metal
or
2x Ø3x23 screws for mounting on plastic



(see CODING EXAMPLE)

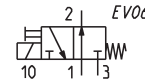
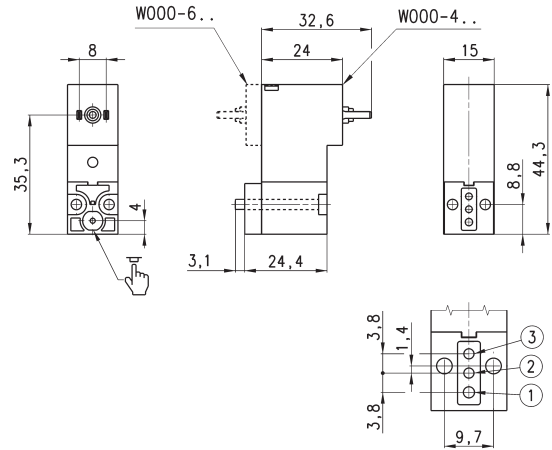
* add
- MATERIALS
- VOLTAGE

Mod.	Function	Orifice Ø (mm)	kv (l/min)	Min÷max pressure (bar)	Power (W)
W000-301- [*] 23	3/2 NC	0.8	0.21	0 ÷ 10	1
W000-305- [*] 2*	3/2 NC	1.1	0.39	0 ÷ 10	2
W000-303- [*] 2*	3/2 NC	1.5	0.54	0 ÷ 7	2
W000-306- [*] 2*	3/2 NC	1.5	0.39	0 ÷ 3	2
W000-501- [*] 23	3/2 NC	0.8	0.21	0 ÷ 10	1
W000-505- [*] 2*	3/2 NC	1.1	0.39	0 ÷ 10	2
W000-503- [*] 2*	3/2 NC	1.5	0.54	0 ÷ 7	2
W000-506- [*] 2*	3/2 NC	1.5	0.39	0 ÷ 3	2
W000-303-W22	3/2 NC	1.5	0.54	0 ÷ 7	2
W000-306-W23	3/2 NC	1.5	0.39	0 ÷ 3	2

Series W solenoid valve - 3/2-way NO - DIN EN 175 301-803-C (8 mm)



Supplied with:
1x interface for NO with position ports as per NC (ports 1 and 3 are inverted)
2x interface seals
2x M3x25 screws for mounting on metal

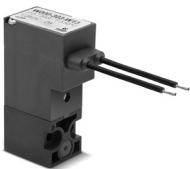


(see CODING EXAMPLE)

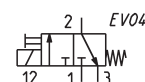
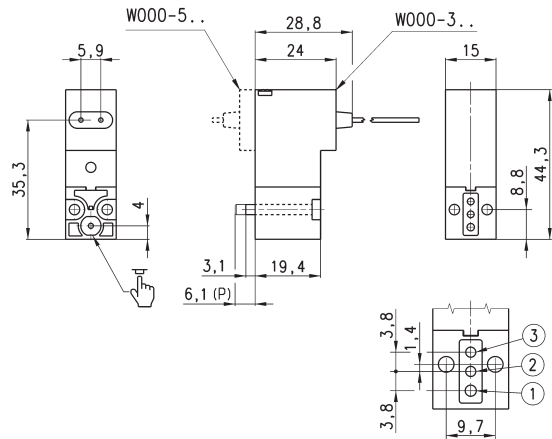
* add
- MATERIALS
- VOLTAGE

Mod.	Function	Orifice Ø (mm)	kv (l/min)	Min÷max pressure (bar)	Power (W)
W000-405- [*] 2*	3/2 NO	0.9	0.23	0÷10	2
W000-403- [*] 2*	3/2 NO	1.5	0.39	0÷5	2
W000-605- [*] 2*	3/2 NO	0.9	0.23	0÷10	2
W000-603- [*] 2*	3/2 NO	1.5	0.39	0÷5	2

Series W solenoid valve - 3/2-way NC - 300 mm flying leads



Supplied with:
1x interface seal
2x M3x20 screws for mounting on metal
or
2x Ø3x23 screws for mounting on plastic

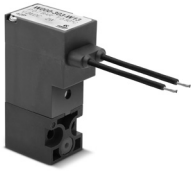


(see CODING EXAMPLE)

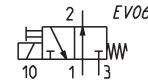
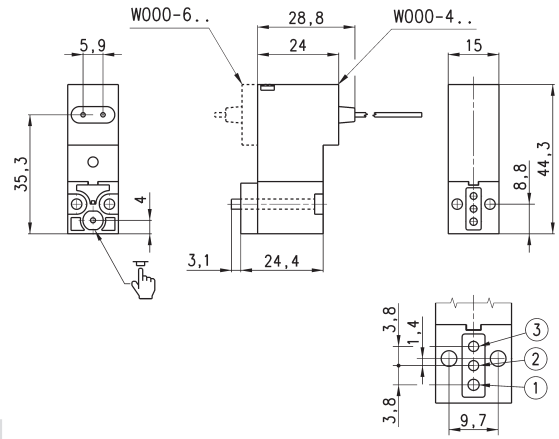
* add
- MATERIALS
- VOLTAGE

Mod.	Function	Orifice Ø (mm)	kv (l/min)	Min÷max pressure (bar)	Power (W)
W000-301- [*] 13*	3/2 NC	0.8	0.21	0÷10	1
W000-305- [*] 1*	3/2 NC	1.1	0.39	0÷10	2
W000-303- [*] 1*	3/2 NC	1.5	0.54	0÷7	2
W000-306- [*] 1*	3/2 NC	1.5	0.39	0÷3	2
W000-501- [*] 13	3/2 NC	0.8	0.21	0÷10	1
W000-505- [*] 1*	3/2 NC	1.1	0.39	0÷10	2
W000-503- [*] 1*	3/2 NC	1.5	0.54	0÷7	2
W000-506- [*] 1*	3/2 NC	1.5	0.39	0÷3	2
W000-303-W12	3/2 NC	1.5	0.54	1.5	2
W000-305-W12	3/2 NC	1.1	0.39	0÷10	2

Series W solenoid valve - 3/2-way NO - 300 mm flying leads



Supplied with:
 1x interface for NO with position ports as per NC
 (ports 1 and 3 are inverted)
 2x interface seals
 2x M3x25 screws for mounting on metal



(see CODING EXAMPLE)

* add
 - MATERIALS
 - VOLTAGE

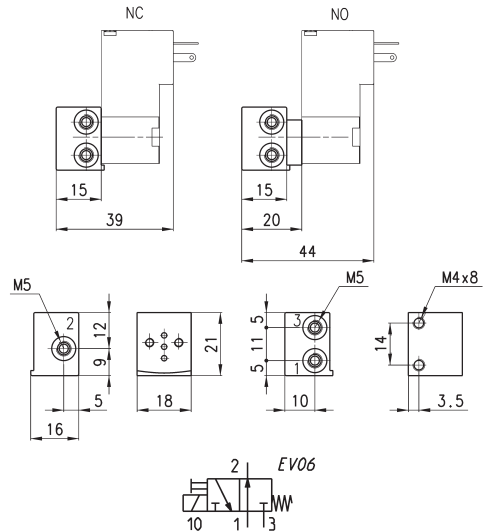
Mod.	Function	Orifice Ø (mm)	kv (l/min)	Min= max pressure (bar)	Power (W)
W000-405-*1*	3/2 NO	0.9	0.23	0÷10	2
W000-403-*1*	3/2 NO	1.5	0.39	0÷5	2
W000-605-*1*	3/2 NO	0.9	0.23	0÷10	2
W000-603-*1*	3/2 NO	1.5	0.39	0÷5	2

Single sub-base for 3-way solenoid valve size 15 mm



Single sub-base suitable for Series P - PL - PN - W
 3-way solenoid valve
 Use solenoid valves with screws for mounting on metal (see coding)

Material: anodized aluminium
 Connections: M5 threads



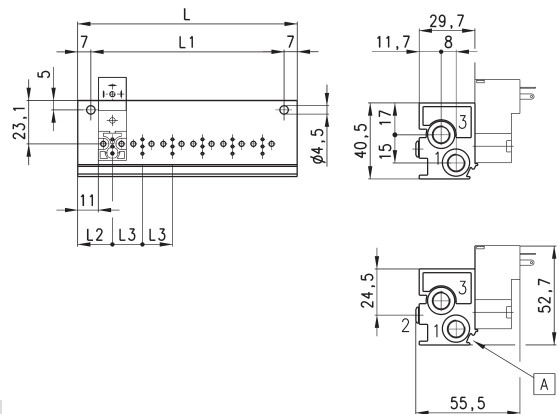
Mod.
P001-02

Manifold - single side valve - bottom outlets



Manifold suitable for Series P - PL - PN - W
 3-way solenoid valve
 Use solenoid valves with screws for mounting on metal (see coding)

Material: anodized aluminium



DIMENSIONS							
Mod.	Positions	L	L1	L2	L3	1 (P)	3 (R)
P102-0*	2	53	39	18,5	16	G1/8	G1/8
P103-0*	3	69	55	18,5	16	G1/8	G1/8
P104-0*	4	85	71	18,5	16	G1/8	G1/8
P105-0*	5	101	87	18,5	16	G1/8	G1/8
P106-0*	6	117	103	18,5	16	G1/8	G1/8

* add
 - MANIFOLD PORTS
 (see CODING EXAMPLE)

A= groove for identification label

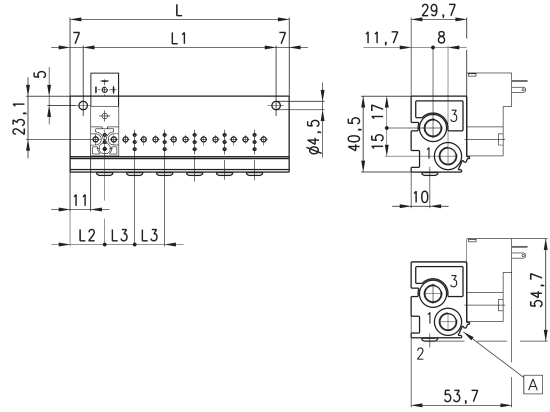
Manifold - single side valve - frontal outlets



Manifold suitable for Series P - PL - PN - W
3-way solenoid valve
Use solenoid valves with screws for mounting on metal (see coding)

Can be fixed through DIN 46277/3 guide with the accessory PCF-E520.

Material: anodized aluminium



DIMENSIONS							
Mod.	Positions	L	L1	L2	L3	1 (P)	3 (R)
P102-0*	2	53	39	18,5	16	G1/8	G1/8
P103-0*	3	69	55	18,5	16	G1/8	G1/8
P104-0*	4	85	71	18,5	16	G1/8	G1/8
P105-0*	5	101	87	18,5	16	G1/8	G1/8
P106-0*	6	117	103	18,5	16	G1/8	G1/8

* add
- MANIFOLD PORTS
(see CODING EXAMPLE)

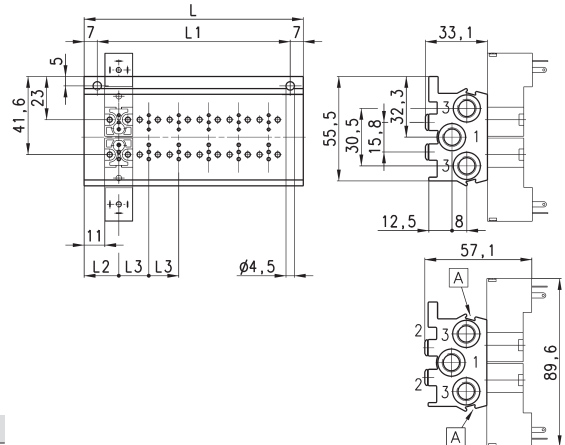
A= groove for identification label

Manifold - double side valve - bottom outlets



Manifold suitable for Series P - PL - PN - W
3-way solenoid valve
Use solenoid valves with screws for mounting on metal (see coding)

Material: anodized aluminium



DIMENSIONS							
Mod.	Positions	L	L1	L2	L3	1 (P)	3 (R)
P204-0*	4	53	39	18,5	16	G1/8	G1/8
P206-0*	6	69	55	18,5	16	G1/8	G1/8
P208-0*	8	85	71	18,5	16	G1/8	G1/8
P210-0*	10	101	87	18,5	16	G1/8	G1/8
P212-0*	12	117	103	18,5	16	G1/8	G1/8

* add
- MANIFOLD PORTS
(see CODING EXAMPLE)

A= groove for identification label

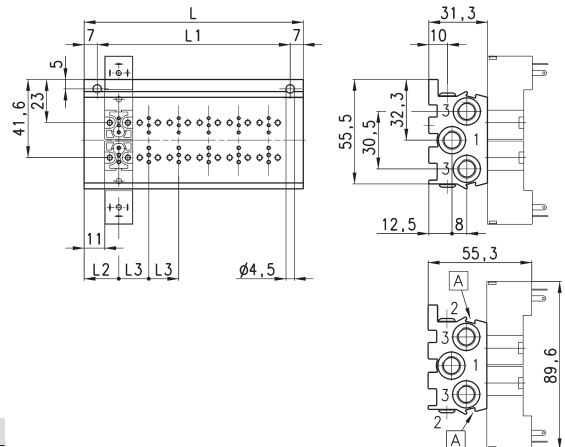
Manifold - double side valve - frontal outlets



Manifold suitable for Series P - PL - PN - W
3-way solenoid valve
Use solenoid valves with screws for mounting on metal (see coding)

Can be fixed through DIN 46277/3 guide with the accessory PCF-E520.

Material: anodized aluminium



DIMENSIONS							
Mod.	Positions	L	L1	L2	L3	1 (P)	3 (R)
P204-0*	4	53	39	18,5	16	G1/8	G1/8
P206-0*	6	69	55	18,5	16	G1/8	G1/8
P208-0*	8	85	71	18,5	16	G1/8	G1/8
P210-0*	10	101	87	18,5	16	G1/8	G1/8
P212-0*	12	117	103	18,5	16	G1/8	G1/8

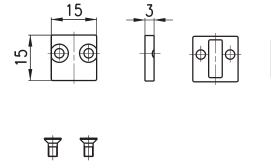
* add
- MANIFOLD PORTS
(see CODING EXAMPLE)

A= groove for identification label

Position valve cap



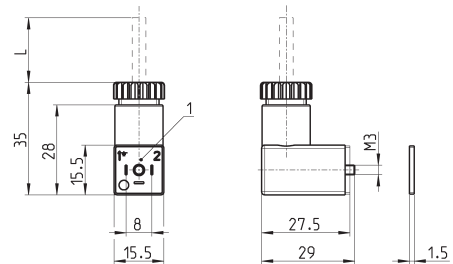
Supplied with:
 1x position valve cap
 1x interface seal
 2x screws



Mod.
P000-TP

1 = 90° adjustable connector

Connector Mod. 126-... - DIN EN 175 301-803-C (8 mm)



Mod.	description	colour	working voltage	cable length [L]	cable gland	tightening torque
126-550-1	moulded cable, without electronics	black	-	1000 mm	-	0.3 Nm
126-800	connector, without electronics	black	-	-	PG7	0.3 Nm
126-701	connector, varistor + Led	transparent	24 V AC/DC	-	PG7	0.3 Nm

1 = 90° adjustable connector