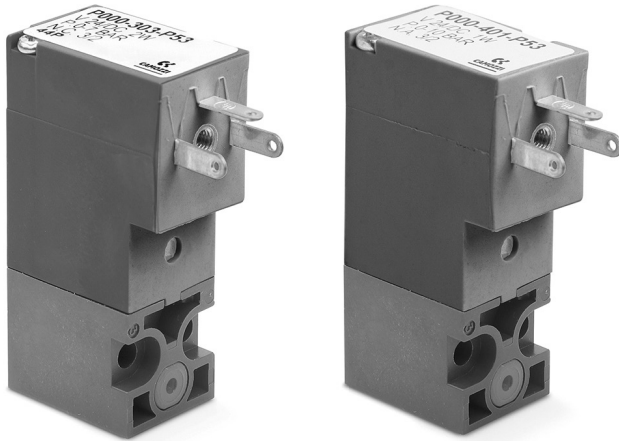


Series P directly operated solenoid valves

3/2-way - Normally Closed (NC) and Normally Open (NO)

SERIES P SOLENOID VALVES



» Can be mounted on a single base (M5 connections) or on manifold (M5 connections or fittings for Ø3 or Ø4 tube).

Series P directly operated solenoid valves are available as 3/2-way, either NC or NO. Both versions can be mounted on single sub-bases or manifolds and they are equipped with a monostable manual override.

Please note that all Series P solenoid valves are supplied with direct current (DC). To operate in alternating current (AC), it is necessary to use the connector with bridge rectifier Mod. 125-900.

GENERAL DATA

TECHNICAL FEATURES

Function	3/2 NC - 3/2 NO
Operation	direct acting poppet type
Pneumatic connections	on subbase with ISO 15218 interface
Orifice diameter	0.8 ... 1.5 mm
Flow coefficient kv (l/min)	0.21 ... 0.54
Operating pressure	0 ÷ 3 ... 10 bar
Operating temperature	0 ÷ 50 °C
Media	filtered air, class 5.4.4 according to ISO 8573-1 (max oil viscosity 32 cSt), inert gas
Response time (ISO 12238)	ON <10 ms - OFF <15 ms
Manual override	monostable
Installation	in any position

MATERIALS IN CONTACT WITH THE MEDIUM

Body	PBT
Seals	PU - NBR - FKM - EPDM
Internal parts	stainless steel

ELECTRICAL FEATURES

Voltage	12 ... 110 V DC - 24 ... 110 V AC 50/60 Hz - other voltages on demand
Voltage tolerance	±10%
Power consumption	1 ... 2 W
Duty cycle	ED 100%
Electrical connection	industrial standard connector (9.4 mm)
Protection class	IP65 with connector

Special versions available on demand

CODING EXAMPLE

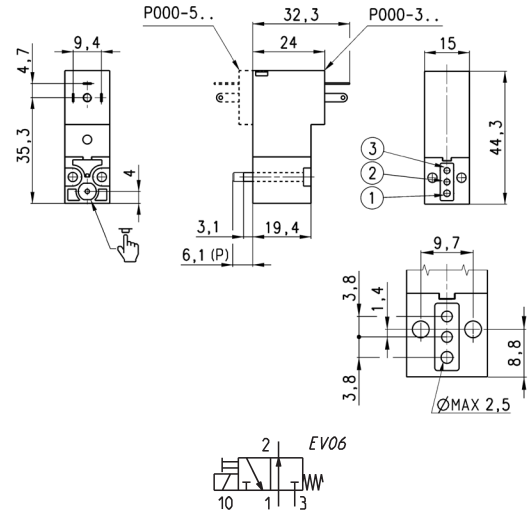
P	0	00	-	3	0	3	-	P	5	3	
----------	----------	-----------	----------	----------	----------	----------	----------	----------	----------	----------	--

P	SERIES
0	BODY DESIGN 0 = single sub-base (M5 only) or interface 1 = single manifold 2 = double sided manifold
00	NUMBER OF POSITIONS 00 = ISO 15218 interface 01 = single base (M5 only) 02 ÷ 99 = manifold number of positions
3	NUMBER OF WAYS - FUNCTIONS 0 = manifold or single base 3 = 3/2-way - NC 4 = 3/2-way - NO 5 = 3/2-way - NC electric part revolved by 180° 6 = 3/2-way - NO electric part revolved by 180°
0	VALVE PORTS 0 = ISO 15218 interface MANIFOLD PORTS for P - PL - PN - W Series 2 = M5 thread - front outlets 3 = tube Ø 3 mm fittings - front outlets 4 = tube Ø 4 mm fittings - front outlets 6 = M5 thread - bottom outlets 7 = tube Ø 3 mm fittings - bottom outlets 8 = tube Ø 4 mm fittings - bottom outlets
3	ORIFICE DIAMETER 1 = Ø 0.8 mm 3 = Ø 1.5 mm 5 = Ø 1.1 mm - NC versions 6 = Ø 1.5 mm - NC versions with voltage tolerance -25% ÷ +10% 5 = Ø 0.9 mm - NO versions
P	MATERIALS E = PBT body - EPDM seals F = PBT body - FKM seals P = PBT body - NBR - FKM - PU seals
5	ELECTRICAL CONNECTION 5 = industrial standard (9.4 mm)
3	VOLTAGE - POWER CONSUMPTION 2 = 12 V DC - 2 W (1 W only for NC - Ø 0.8 mm version) B = 24 V 50/60 Hz - 2 W 3 = 24 V DC - 2 W (1 W only for NC - Ø 0.8 mm version) C = 48 V 50/60 Hz - 2 W 4 = 48 V DC - 2 W D = 110 V 50/60 Hz - 2 W 6 = 110 V DC - 2 W
	FIXING = fixing screws for metal P = fixing screws for plastic
	OPTIONS = standard OX1 = for use with oxygen (non volatile residual less than 550 mg/m ²) OX2 = for use with oxygen (non volatile residual less than 33 mg/m ²)

Series P solenoid valve - 3/2-way NC



Supplied with:
1x interface seal
2x M3x20 screws for mounting on metal
or
2x Ø3x23 screws for mounting on plastic



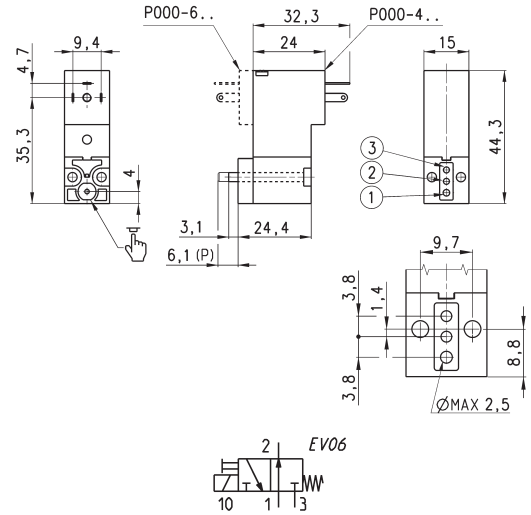
Mod.	Function	Orifice Ø (mm)	kv (l/min)	Min÷max pressure (bar)	Power (W)
P000-301-5*	3/2 NC	0.8	0.21	0 ÷ 10	1
P000-305-5*	3/2 NC	1.1	0.39	0 ÷ 10	2
P000-303-5*	3/2 NC	1.5	0.54	0 ÷ 7	2
P000-306-5*	3/2 NC	1.5	0.54	0 ÷ 3	2
P000-501-5*	3/2 NC	0.8	0.21	0 ÷ 10	1
P000-505-5*	3/2 NC	1.1	0.39	0 ÷ 10	2
P000-503-5*	3/2 NC	1.5	0.54	0 ÷ 7	2
P000-506-5*	3/2 NC	1.5	0.39	0 ÷ 3	2

* add
- MATERIALS
- VOLTAGE
(see CODING EXAMPLE)

Series P solenoid valve - 3/2-way NO



Supplied with:
1x interface for NO with position ports as per NC (ports 1 and 3 are inverted)
2x interface seals
2x M3x25 screws for mounting on metal



Mod.	Function	Orifice Ø (mm)	kv (l/min)	Min÷max pressure (bar)	Power (W)
P000-405-5*	3/2 NO	0.9	0.23	0 ÷ 10	2
P000-403-5*	3/2 NO	1.5	0.39	0 ÷ 5	2
P000-605-5*	3/2 NO	0.9	0.23	0 ÷ 10	2
P000-603-5*	3/2 NO	1.5	0.39	0 ÷ 5	2

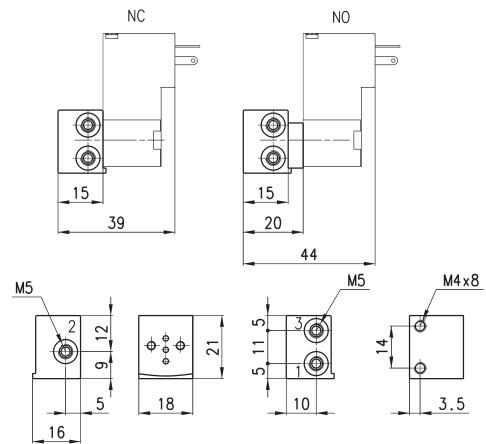
* add
- MATERIALS
- VOLTAGE
(see CODING EXAMPLE)

Single sub-base for 3-way solenoid valve size 15 mm



Single sub-base suitable for Series P - PL - PN - W 3-way solenoid valve
Use solenoid valves with screws for mounting on metal (see coding)

Material: anodized aluminium
Connections: M5 threads



Mod.
P001-02

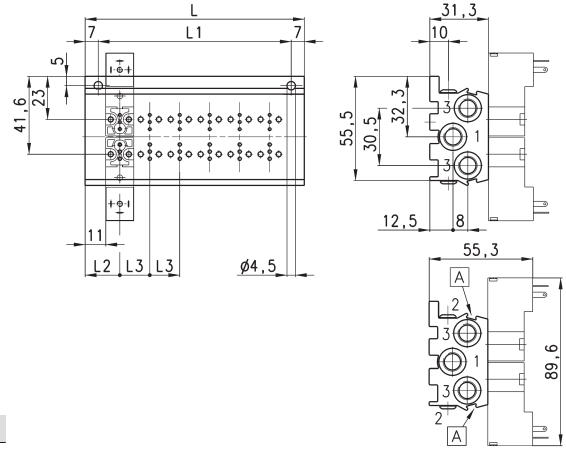
Manifold - double side valve - frontal outlets



Manifold suitable for Series P - PL - PN - W
3-way solenoid valve
Use solenoid valves with screws for mounting on metal (see coding)

Can be fixed through DIN 46277/3 guide with the accessory PCF-E520.

Material: anodized aluminium



DIMENSIONS							
Mod.	Positions	L	L1	L2	L3	1 (P)	3 (R)
P204-0*	4	53	39	18.5	16	G1/8	G1/8
P206-0*	6	69	55	18.5	16	G1/8	G1/8
P208-0*	8	85	71	18.5	16	G1/8	G1/8
P210-0*	10	101	87	18.5	16	G1/8	G1/8
P212-0*	12	117	103	18.5	16	G1/8	G1/8

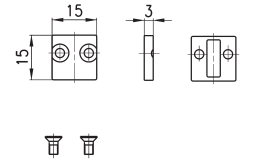
* add
- MANIFOLD PORTS
(see CODING EXAMPLE)

A = groove for identification label

Position valve cap

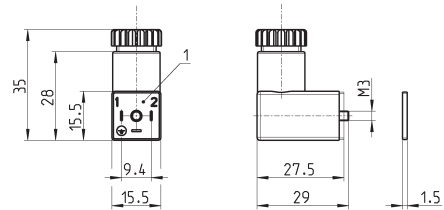


Supplied with:
1x position valve cap
1x interface seal
2x screws



Mod.
P000-TP

Connector Mod. 125-... - industrial std. 9.4 mm



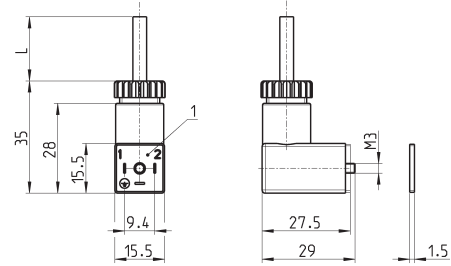
Mod.	description	colour	working voltage	cable gland	tightening torque
125-601	connector, diode + Led	transparent	10/50 V DC	PG7	0.3 Nm
125-701	connector, varistor + Led	transparent	24 V AC/DC	PG7	0.3 Nm
125-800	connector, without electronics	black	-	PG7	0.3 Nm

1 = 90° adjustable connector

Connector Mod. 125-... - industrial std. 9.4 mm - 90° cable



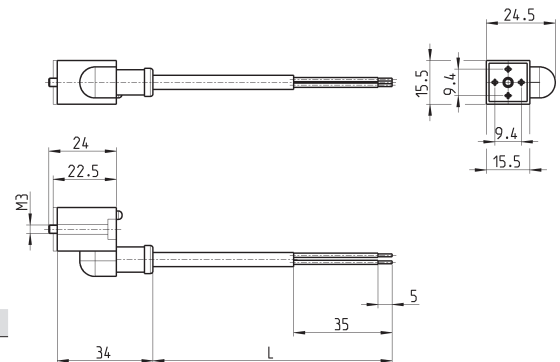
The internal rectifier circuit of the connector Mod. 125-900 allows to use solenoid valves with different AC voltage, even if the voltage indicated on the solenoid valve is DC.



Mod.	description	colour	working voltage	cable length [L]	cable gland	tightening torque
125-501-2	moulded cable with diode + Led	black	10/50 V DC	2000 mm	-	0.3 Nm
125-550-1	moulded cable, without electronics	black	-	1000 mm	-	0.3 Nm
125-601-2	pre-wired cable, diode + Led	transparent	10/50 V DC	2000 mm	PG7	0.3 Nm
125-571-3	moulded cable, varistor + Led	black	24 V AC/DC	3000 mm	-	0.3 Nm
125-900	pre-wired cable with voltage rectifier	black	6 V - 110 V AC/DC	2000 mm	PG7	0.3 Nm

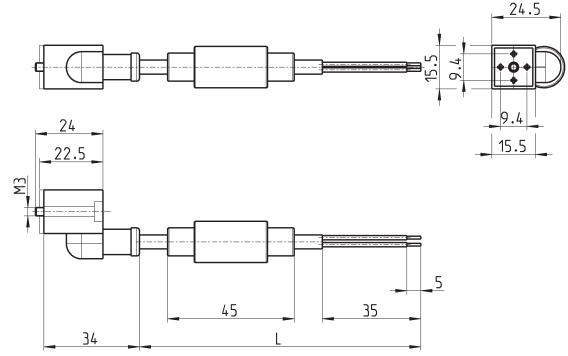
1 = 90° adjustable connector

Connector Mod. 125-... - industrial std. 9.4 mm - in-line cable



Mod.	description	colour	working voltage	cable length [L]	cable gland	tightening torque
125-503-2	in-line moulded cable, with diode + Led	black	24 V DC	2000 mm	-	0.3 Nm
125-503-5	in-line moulded cable, with diode + Led	black	24 V DC	5000 mm	-	0.3 Nm
125-553-2	in-line moulded cable, without electronics	black	-	2000 mm	-	0.3 Nm
125-553-5	in-line moulded cable, without electronics	black	-	5000 mm	-	0.3 Nm

Conn. Mod. 125-... - ind. std. 9.4 mm - in-line cable+rectifier



Mod.	description	colour	working voltage	cable length [L]	cable gland	tightening torque
125-903-2	in-line moulded cable with voltage rectifier	black	6 V - 230 V AC/DC	2000 mm	-	0.3 Nm
125-903-5	in-line moulded cable with voltage rectifier	black	6 V - 230 V AC/DC	5000 mm	-	0.3 Nm

SERIES P SOLENOID VALVES